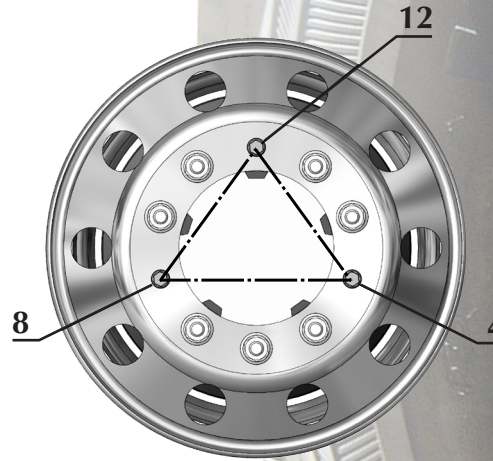


Centering Pin Installation Instructions



Pin & Sleeve Locations



How it works

The theory behind the hub pilot is it centers the wheel. The fact is gravity causes the weight of the wheel to rest only on the upper pilots creating a gap in the bottom pilots. Even the smallest gap results in an egg shaped motion upon rotation. This uneven motion creates rolling resistance which causes tire vibration, increased fuel consumption and erratic tire wear. The bottom line is, you can't balance an egg.

The TRU-BALANCE products bypass the hub pilots and center the wheel to the wheel studs. This creates true center of the wheel and eliminates the uneven motion. The result is a smooth ride, increased tire life and increased fuel mileage.

This product is warranted against defects in materials or workmanship for 1 year from the date of purchase.

TRU-BALANCE Benefits:

- Reduces Rolling Resistance
- Increases Fuel Mileage
 - Increases Tire Life
- Cuts Rebalancing Costs
- Decreases Tire Maintenance
- Reduces "Wheel Off" Condition
 - Decreases Tire Vibration
 - Decreases Irregular Wear



671 Academy Ct. Unit A, Windsor, CO 80550
970.686.9285 • Fax: 970-686-9245

866.686.9285

www.tru-bal.com



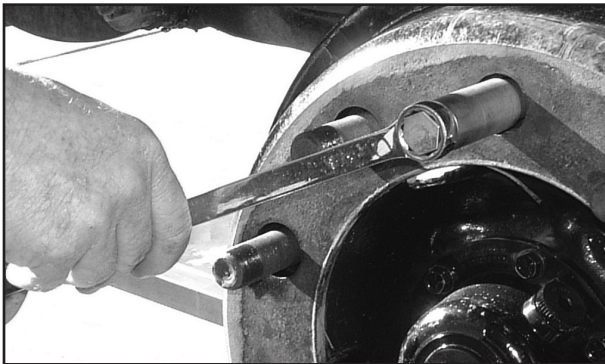
How to use your TRU-BALANCE Centering Pins



1 Wear safety glasses!



2 Jack up the vehicle until the tire is off the ground. Always use adequate jack stands.



3 Lubricate tool and install TRU-BALANCE tool at the 12, 4 and 8 o'clock positions. **DO NOT USE AN IMPACT WRENCH.**



4 Install wheel with TRU-BALANCE centering pins in place.



5 Install wheel nuts and lightly tighten.

6 Remove TRU-BALANCE centering pins and replace with the remaining nuts.

7 Tighten all nuts to wheel/stud manufacturer's specifications.

Care of TRU-BALANCE Tool

Always follow the truck, tire and wheel manufacturers recommended mounting and install procedures

- **DO NOT USE AN IMPACT WRENCH.** Use of impact wrench will damage tool and void the warranty.
- Do not force into wheel stud hole.
- Do not use tool to correct faulty threads.
- Do not use on Budd style wheels.
- Remove TRU-BALANCE tool before moving truck.
- TRU-BALANCE is not responsible for improper use of tool.